

Adult Burial without a Coffin

Leicester City Council offers a choice in how the deceased is buried at Saffron Hill Cemetery. Families can choose to bury their loved one with or without a coffin.

The following diagrams depict how the cemetery staff will prepare the grave for this type of burial.

Diagram 1.

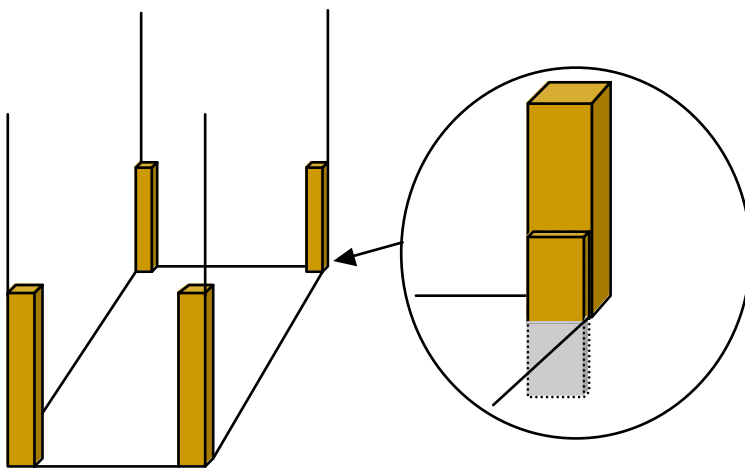


Diagram 2.

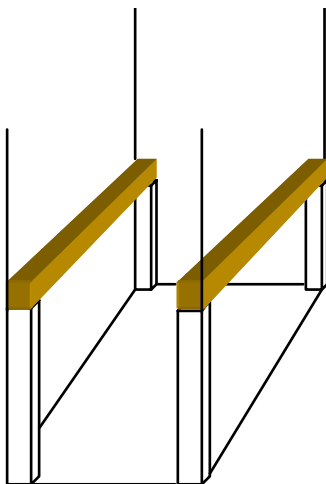


Diagram 3.

